

**eps SC-740**

Stencil Cleaning System

# eps SC-740

## Overview

---

### Two models available

Single Tank (ST) - Single tank for cleaning liquid

Double tank (DT) - Dual tanks for separate cleaning and rinsing liquids

### Ideal for cleaning adhesive or solder paste stencils

### Typical applications for double tank machine

Metal Stencil Cleaning

Pump Print Stencil Cleaning

Misprint Cleaning

PCBA Defluxing

Squeegee Cleaning

Screen Cleaning

Maintenance Part Cleaning

- Simple to use machine with Android based interactive user interface
- Versatile machine with closed loop systems for cleaning, rinsing (optional) and drying
- Separate spray pumps and filtration systems
- Vertical elevator mechanism mounted with synchronous Spray Arms and Air Knives
- Linear fluid delivery technology
- Low pressure spray nozzles with <1 bar for cleaning of sensitive screens and stencils
- Vertical elevator mechanism with adjustable stroke
- Simple cleaning, rinsing and drying process with user programmed parameters

## Features

---

### Air Knife

- Air knife fitted on each arm.
- Drying percentage and time is programmable.
- Air knives are fitted with heating elements and high velocity blowers with air filters.

### Filters

- Two sequential 20um and 5um large diameter BB filters used for cleaning circuit.
- If cleaning filters become blocked, a filter jam alarm is displayed on the HMI.
- Additional 5um large diameter BB filter on rinsing circuit of dual tank system.

### Draining Valve

- Drain Valve is present on each tank to drain all used liquids.

### Complete Stainless Steel chamber and pipework

- Chamber, fluid tanks, spray arms and piping in the machine is fabricated in Stainless Steel.

### Easy to handle Door with lock

- Simple mechanical open and close mechanism.
- Mandatory interlocked protection mechanism used.
- If door is opened whilst machine is running, system stops immediately.

### Cleaning and rinsing liquid pumps

- Used to pump fluid from tank and spray through nozzles for cleaning or rinsing process.
- Separate pumps are used for two tank machine for cleaning and rinsing processes.
- Magnetically coupled pumps.

### Liquid Level Indicator

- Liquid level indicators show current level of the liquid present in each tank.
- If current level is below or above acceptance level, an alarm is given on the HMI as well as on light tower.
- Machine will not start if liquid level is not within acceptable range.

### HMI Facilities

- Easy to add and modify any program.
- Storage up to 99 Programs.
- Weekly Timer facility.
- Password Protected setup and programs.
- SPC fault monitoring and reporting facility.
- Manual mode for testing inputs and outputs along with status.



Distributors of equipment and support to high technology industrial sectors.

# Specification

Specification	Single Tank (ST)	Double Tank (DT)
Length (L-R)	950mm	950mm
Depth (F-B)	1250mm	1250mm
Height	1850mm	1850mm
Frame Dimension	740 x 740mm (29 x 29") max.	740 x 740mm (29 x 29") max.
Controller	10" Touchscreen with PLC	10" Touchscreen with PLC
Dry Weight	Approx. 350Kg	Approx. 360Kg
Voltage Supply	400V 3-Ø (3NPE) 50Hz	400V 3-Ø (3NPE) 50Hz

## Cleaning Unit

Wash Tank Volume	65 Litres	65 Litres
Pump	Magnetically Coupled Centrifugal	Magnetically Coupled Centrifugal
Filters	20 Micron & 5 Micron 10"LD	20 Micron & 5 Micron 10"LD
Heater	1 x 3kW Max. 60°C	1 x 3kW Max. 60°C
Nozzle Pressure	Approx. 0.9 Bar	Approx. 0.9 Bar
Typical Cycle Time	3 to 6 Minutes	3 to 6 Minutes

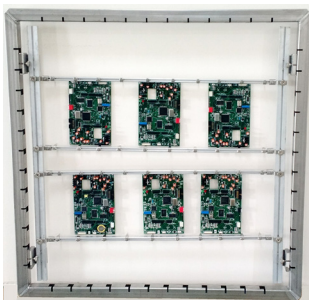
## Rinsing Unit

Rinse Tank Volume		32 Litres
Pump		Magnetically Coupled Centrifugal
Filters		5 Micron 10"LD
Nozzle Pressure		Approx. 0.55 Bar
Typical Cycle Time		2 Minutes

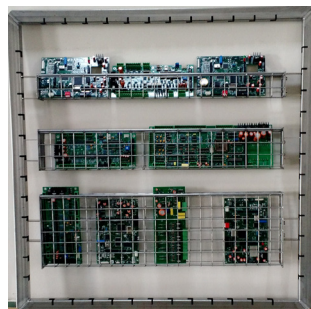
## Drying Unit

Centrifugal Blower with Air Knife	x 2	x 2
Heater	2 x 1.5kW Max. 85°C	2 x 1.5kW Max. 85°C
Typical Cycle Time	6 to 12 Minutes	6 to 12 Minutes

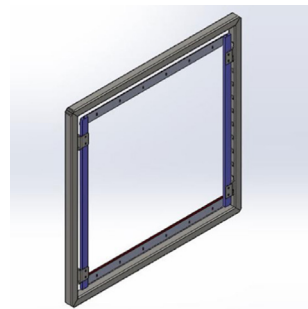
## Cleaning frames



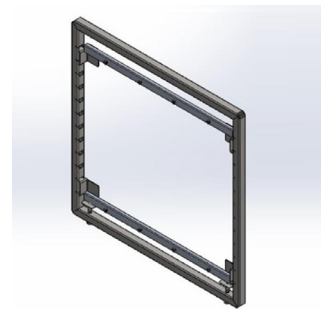
**Finger Bars for  
PCB cleaning**



**Baskets for PCB  
and Tool cleaning**



**Frame for VectorGuard  
stencil cleaning**



**Frame for Frameless  
stencil cleaning**



**Etek Europe Ltd**  
Etek Technology Centre  
Prestwick International Aerospace Park,  
Prestwick, KA92TU

☎ +44(0)1292 834 000  
✉ [sales@etek-europe.com](mailto:sales@etek-europe.com)  
🌐 [etek-europe.com](http://etek-europe.com)